



## WHOLE-HOUSE MUSIC IN A BOX

The simplest way to access and enjoy your favorite music anywhere in the home

### **ZR-4** 4 SOURCE, 4 ZONE MULTIZONE RECEIVER KIT WITH AM/FM TUNER

#### KEY FEATURES

- **Music, Where, When And How You Want It** Enjoy up to four audio sources in up to four different areas (zones)—all at the same time. The kids can “rock out” upstairs while dad listens to the news in the den and mom plays her favorite CDs outside by the pool.
- **Everything You Need** The ZR-4 comes with a built-in AM/FM tuner; four weather-resistant keypads, a hand-held remote control, three Infrared MicroFlashers® (for controlling the audio equipment), and a set of rack-mount ears for installing the ZR-4 into an equipment rack.
- **Built-In AM/FM Tuner** Unlike most multizone systems, the ZR-4 has the AM/FM tuner built right in. It plays music right out of the box without the need for additional equipment.
- **Weather-Resistant Keypads** Install the keypads where you want, even in areas that get wet like bathrooms, spas or out on the patio by the pool.
- **4 Ohm Stable Digital Amplifier** Advanced low-heat digital power amplifier design delivers eight channels of robust power (40 watts per zone/20 watts per channel) with the ability to comfortably drive two pairs of 8 ohm speakers per zone.
- **Hand-Held Remote Control** Provides advanced control for the system’s audio sources as well as the local TV and a second local source, i.e., cable/satellite receiver. It comes preloaded with the commands for the ZR-4 and many popular brands of equipment. Unique commands can be learned by the remote.
- **Plasma/LCD-Proof IR Sensors** Each keypad has a built-in IR sensor that resists interference from flat-panel plasma or LCD TVs. The IR sensor is defeatable for areas with direct sunlight.
- **Voice Paging and Doorbell Chimes** The ZR-4’s paging input enables you to connect a telephone system’s paging output and/or an optional Niles DBI-1 Doorbell Interface so that it automatically pauses the music and plays through the system.
- **Perfectly Calibrated Sound** Independent bass, treble, and variable loudness controls enable you to custom tune each zone for the best sound quality and match room acoustics from zone to zone.
- **Party Mode** With a single press and hold from a keypad or remote control, the user can turn on the entire house (or a preset number of zones) to listen to the same source, which is ideal for entertaining or setting the mood.
- **Zone Linking** Program up to four zones so that turn-on, source selection, and turn-off work in unison. Each zone retains independent volume, bass, treble and variable loudness control, which is a great feature for a restaurant/bar or for adjacent rooms such as a master bedroom and master bath.
- **Share Your Home Theater Components** The ZR-4 is designed to intelligently manage source sharing with an independent home theater system.
- **Flexible Control Options** The ZR-4 MultiZone Receiver can be controlled by secondary control systems via RS-232 devices and/or discrete infrared commands.

## Specifications

### ZR-4

#### 4 Source, 4 Zone Audio MultiZone Receiver Kit with AM/FM Tuner

Includes: MultiZone Receiver, Rack Mount Ears, Four IR Weather-Resistant Keypads, Hand-Held Learning Remote Control, Three Infrared MicroFlashers®

Packaged as a complete system

Model	Stock Number
Standard	FG01431
Export	FG01432



#### Features

- Distributes and controls up to four audio sources to up to four listening zones
- Built-in AM/FM tuner provides out-of-the-box high-quality radio reception without the need for additional components, connections, or programming. Each band includes 20 preset stations.
- Built-in eight-channel digital amplifier is stable to 4 ohms and delivers 40 watts per zone (20 watts per channel) with minimal heat generation
- RS-232 and discrete IR control for each zone provides seamless integration with secondary control systems, i.e., Niles' iC2™ Home Theater Control System
- Pre-amplifier outputs and a 12V trigger make it easy to add additional power using a Niles Systems Integration Amplifier®
- Paging input enables telephone paging and/or doorbell chimes (via Niles' optional DBI-1 Doorbell Interface) to override music and play through the system
- Independent bass, treble and variable loudness tone controls enables custom tuning for optimum sound and matching acoustics from zone to zone
- Rugged, 1U aluminum front panel and included mounting ears and hardware provide for secure rack mounting while taking up minimal space
- Expand the system to eight zones by linking a second ZR-4 MultiZone Receiver Kit
- Ideal for large areas, the ZR-4 supports additional keypads in each zone (additional keypads sold separately; requires ZR-KE Keypad Expander)
- During setup, you can configure the ZR-4 to link up to four zones together so that turn-on, turn-off and source selection work in unison. Each zone still retains independent control over volume, bass, treble, and variable loudness
- Virtual home theater zone enables source sharing with an independent home theater system using the ZR-4's global IR input and home theater sync port
- Gold-plated RCA jacks are used to connect up to the three stereo audio sources
- 75 ohm FM antenna connection, 300 ohm AM antenna connection (the kit includes both AM and FM antennas)
- RJ-45 keypad connections use T-568A CAT-5 termination
- Removable two-wire IEC line cord
- Safety certifications: CSA-E65 listed, tested under UL6500 standards
- Dimensions: 17 1/4" wide x 1 3/4" high x 13" deep (43.8 cm wide x 4.45 cm high x 33 cm deep) including connection terminals with no wires attached
- 1U rack height
- Warranty: Two-Year Limited

#### Solo®-4 IR Weather Resistant Keypad

- Provides control for the ZR-4's built-in tuner and up to three additional sources. Controls source selection and local zone volume, muting and turn off. Can also turn the entire system on or off with a single press of a button
- Weather-resistant design enables installation in spas, showers or outdoor areas
- Features an integrated plasma/LCD-proof IR sensor
- Includes assorted laser-etched buttons for custom labeling of keypad
- Dimensions: Standard version fits 1-gang electrical box

#### R-6 L Hand-Held Learning Remote Control

- Provides advanced control for the system's audio sources as well as the local TV and associated cable/satellite receiver. It comes preloaded with the commands for the ZR-4 as well as many popular brands of equipment. The R-6 L can quickly learn any unique codes and has the ability to create IR sequences.

## Parts Guide

### ZR-4 MultiZone Receiver Front View

#### RACK-MOUNT EARS

Two rack-mount ears (included) secure the ZR-4 when installed in an equipment rack (includes mounting hardware).

#### BUILT-IN AM/FM TUNER

High-quality radio reception without any additional components, connections, or programming.

#### FRONT PANEL CONTROLS

Convenient front-panel buttons operate the AM/FM tuner, set favorite preset stations into memory, and perform system configuration.

#### ZONE ON/OFF LED'S

Illuminate whenever a zone is on and active. Also provide diagnostic information for troubleshooting.

#### MAIN POWER SWITCH

Mechanical latching power switch glows white to indicate the unit is in standby mode and ready to operate.

#### BACKLIT LCD DISPLAY

Bright, 16-character LCD display for configuring the ZR-4. Also displays the current AM/FM preset station, band, and station tuning information.



### ZR-4 MultiZone Receiver Rear View

#### EXPANSION PORT

Links two ZR-4s together to create an eight zone system.

#### HP FLASHER OUTPUT

Connect an optional Niles IRB-1 High Output IR Flasher (controls a stack of components with just one flasher).

#### SPEAKER CONNECTIONS

Four stereo speaker connections (one for each zone) feature removable connectors that accommodate speaker wire up to 16 AWG in size.

#### FLASHER OUTPUTS

Connect the included IR MicroFlashers® and control up to three source components.

#### HOME THEATER SYNC

Enables sharing of components with an independent home theater. When the home theater receiver is on, the ZR-4 will stay active (even if all zones are off) and execute the appropriate 12V and IR functions.

#### PREAMP OUTPUTS

Connect an external power amplifier for a zone that requires additional power such as very large rooms or outdoor applications. Assigned to Zone 4, the preamp outputs can be switched between fixed or variable levels.



#### 12V CONTROL OUTPUT

Automate power turn-on and turn-off of connected components such as a Niles Systems Integration Amplifier®.

#### ANALOG AUDIO INPUTS

Gold-plated RCA jacks connect up to three stereo audio sources.

#### IEC POWER RECEPTACLE

Features a removable power cord for added flexibility when working in tight spaces.

#### KEYPAD PORTS

Connect each zone's Master Keypad via a home run of CAT-5 cable.

#### RS-232 INPUT

Monitor and control the ZR-4 using an external RS-232 control system.

#### IR GLOBAL INPUT

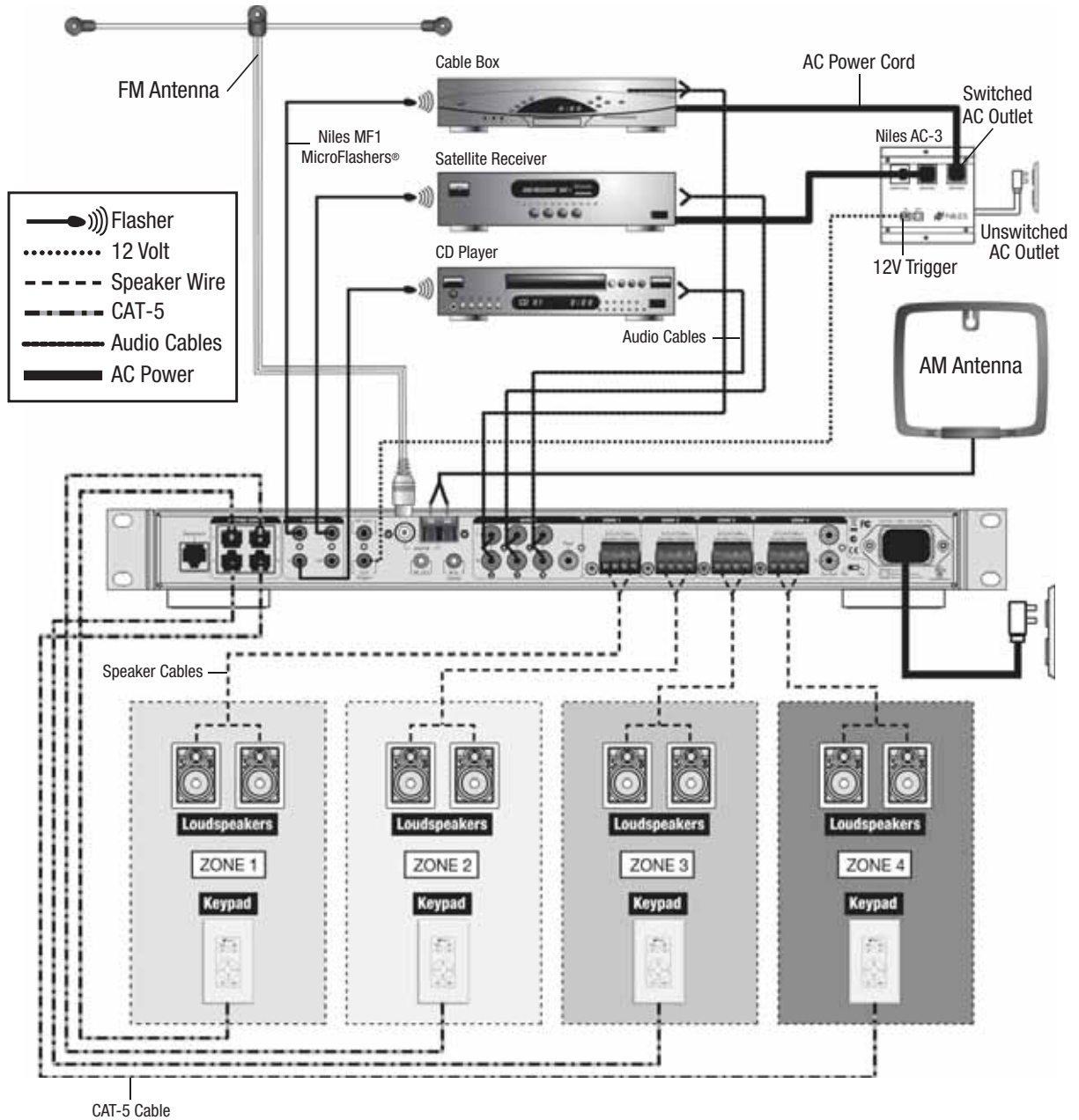
Control the ZR-4 and its connected sources using a secondary control system such as a Niles iC2.™

#### PAGING INPUT

Connect a telephone system and/or Niles DBI-1 Doorbell Interface to provide paging throughout the home using the ZR-4 system.

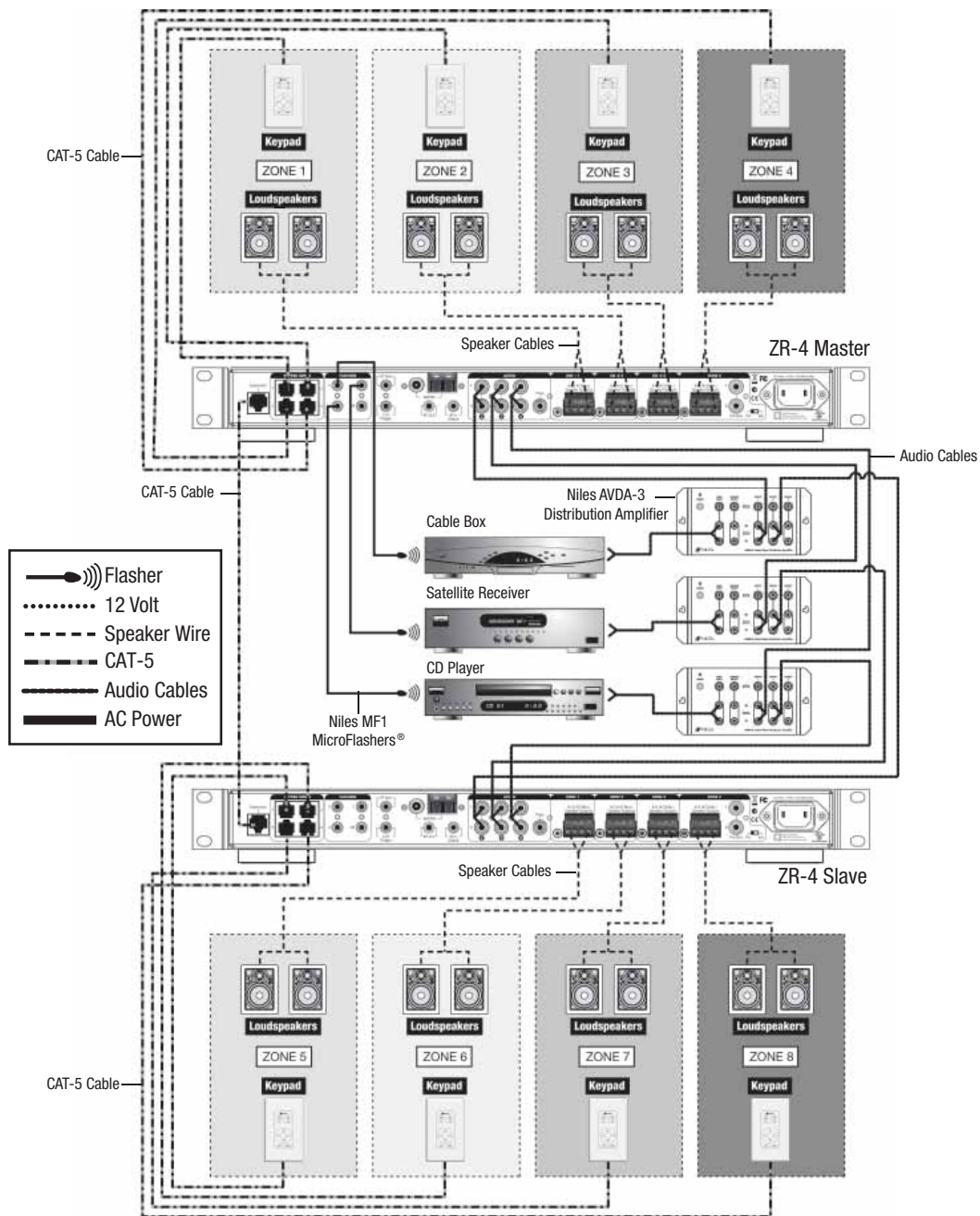
## System Configurations

### SYSTEM CONFIGURATION 1 Stand-Alone ZR-4 MultiZone Receiver Kit



## System Configurations

### SYSTEM CONFIGURATION 2 Expanding To Eight Zones Using Two ZR-4 Kits



System Configurations

SYSTEM CONFIGURATION 3

ZR-4 MultiZone Receiver Integrated With A Home Theater System

